

8 Important - Use only replacement lamps secured from Pelton & Crane Company. These lamps must meet higher inspection standards than lamp secured elsewhere. They will provide better operation and longer life.

Focusing

1 Remove plastic shield from front of reflector. Round holes on either side of P & C emblem allow access to focusing screws. Turn both screws equally clockwise until pattern begins to separate into two separate patterns as shown in Figure 3.



Figure 3



Figure 4

2 Then turn each screw one turn at a time counterclockwise. Continue this process until the two patterns superimpose and become the sharpest as shown in Figure 4. Focusing should be accomplished with pattern at 36 inches from head.

3 If lamp is not centered from side to side or if focusing screws are not adjusted equally, pattern will be brighter or larger on one side than on the other.

C. To Install Shield - Place one end of shield behind flange at lower end of reflector (See Figure 1). Squeeze sides of shield slightly so that edges of shield fit inside frame of light head. Press on front with each thumb at either side of upper edge of shield until shield snaps behind upper flange (See Figure 2).

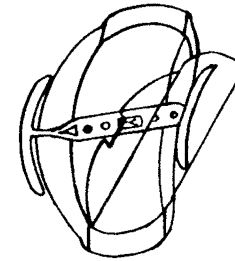


Figure 1

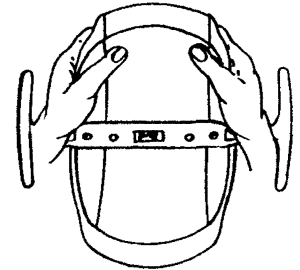


Figure 2

USE

1 There are no limitations to the use of the Light Fantastic. It is suggested that the light be positioned from 30 to 42 inches away from the oral cavity for the most sharply defined pattern.

2 The life of lamp used in the Light Fantastic will not be shortened by turning it off and on in normal use. It is recommended

ARC EQUIPMENT and SUPPLIES
your dental dealer
1411 BROADWAY
Santa Monica, CA 90404
310-394-1551 FAX 310-394-4832

INSTALLATION

This light has been carefully manufactured and tested prior to shipment from the factory and requires only the following steps for installation.

- 1 Slip power supply cord through mounting column and insert 3-wire male plug into unit receptacle.
- 2 Install column on unit light-post adapter.
- 3 Coil excess power supply cord and slip into adapter bushing on rear arm. Insert bushing in top of column. It is suggested that a light coating of grease or oil be applied to allow arm to turn freer.
- 4 If column includes clamp screws, position rearward and tighten. Make sure column is plumb or vertical so that light will not drift. Check with level in several directions.
- 5 Install lens shield as follows:
 - A. Protective paper covering is applied to both sides of plastic shield to assure that it will be delivered without scratches.
 - B. After removing paper, wash shield with a detergent and warm water. The plastic shield is unbreakable but is easily scratched. Use only a soft cloth to clean and dry.

ed on or is hot when cleaning reflector to prevent burning fingers or hand.

Replacing Lamp (See Figure 5)

- 1 Remove plastic shield by squeezing it forcefully at the sides and pulling one end out from behind retaining flange.
- 2 Remove access clip by pushing toward reflector with coin or end of screwdriver.
- 3 Place socket retractor (1), furnished with replacement lamp, under focus bracket (2) so tabs of retractor slip into slot at bottom of lamp sockets (3).
- 4 Squeeze retractor. While holding sockets compressed lift lamp (4) up and out with other hand.
- 5 Use care not to touch new lamp with bare fingers. Contamination may shorten lamp life. If touched, clean with water and dry with clean cloth to remove fingerprints before installation. Use protective paper over lamp while installing.
- 6 Engage retractor in sockets and squeeze as above. Hold flat of lamp (4) in hand so exhaust tip is pointed away from glass. Insert lamp and allow to lock in sockets.
- 7 Position end of sockets (5) equidistant from mounting bracket. Remove protective paper and reinstall access clip.

that the Light Fantastic be turned off when illumination is not needed. This procedure will result in longer lamp life, less power consumption and cooler operation.

- 3 The dimmer switch at the rear of the rear arm can be adjusted in three steps in intensity. LO will provide approximately 1000 footcandles; MED will provide approximately 1500 footcandles; and HI will provide approximately 2000 footcandles at the oral cavity.

CARE AND MAINTENANCE

Reflector Shield

- 1 Lexan shield on front of reflector prevents reflector from being splattered with spray but should be kept clean itself by cleaning with a soft, damp cloth or washing with detergent.
- 2 If desired, shield may be removed by squeezing it forcefully at the sides, and pulling one end out from behind retaining flange. Shield can then be washed in detergent and water and dried with a soft cloth.

Reflector- For least glare and best operation, reflector should periodically be cleaned with detergent and water. Since reflector is highly resistant to scratching, no excessive care is required in cleaning. Make sure lamp is not turn-

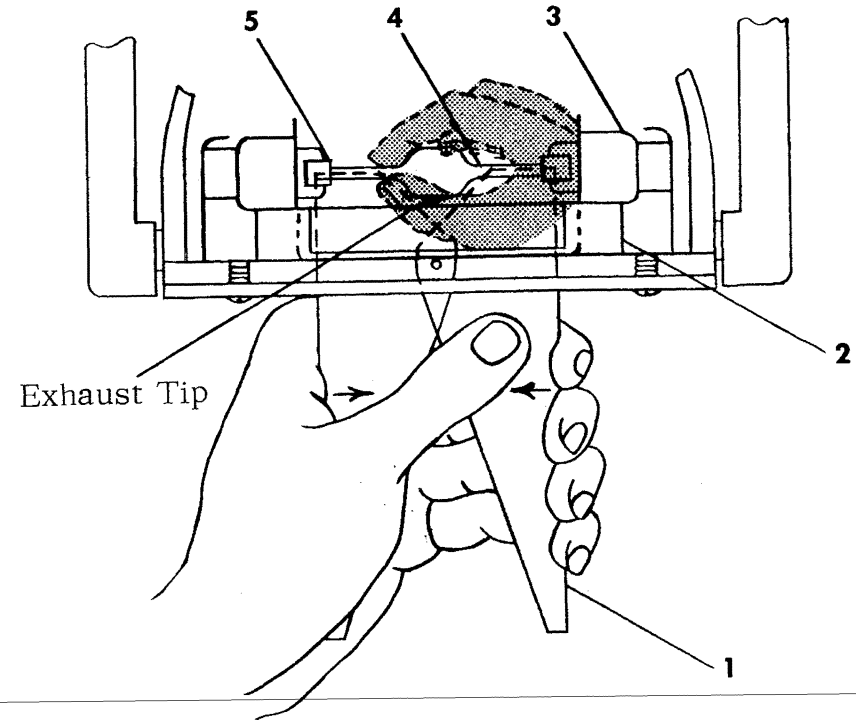


Figure 5

ARC EQUIPMENT and SUPPLIES
your dental dealer
1411 BROADWAY
Santa Monica, CA 90404
310-394-1551 FAX 310-394-4832