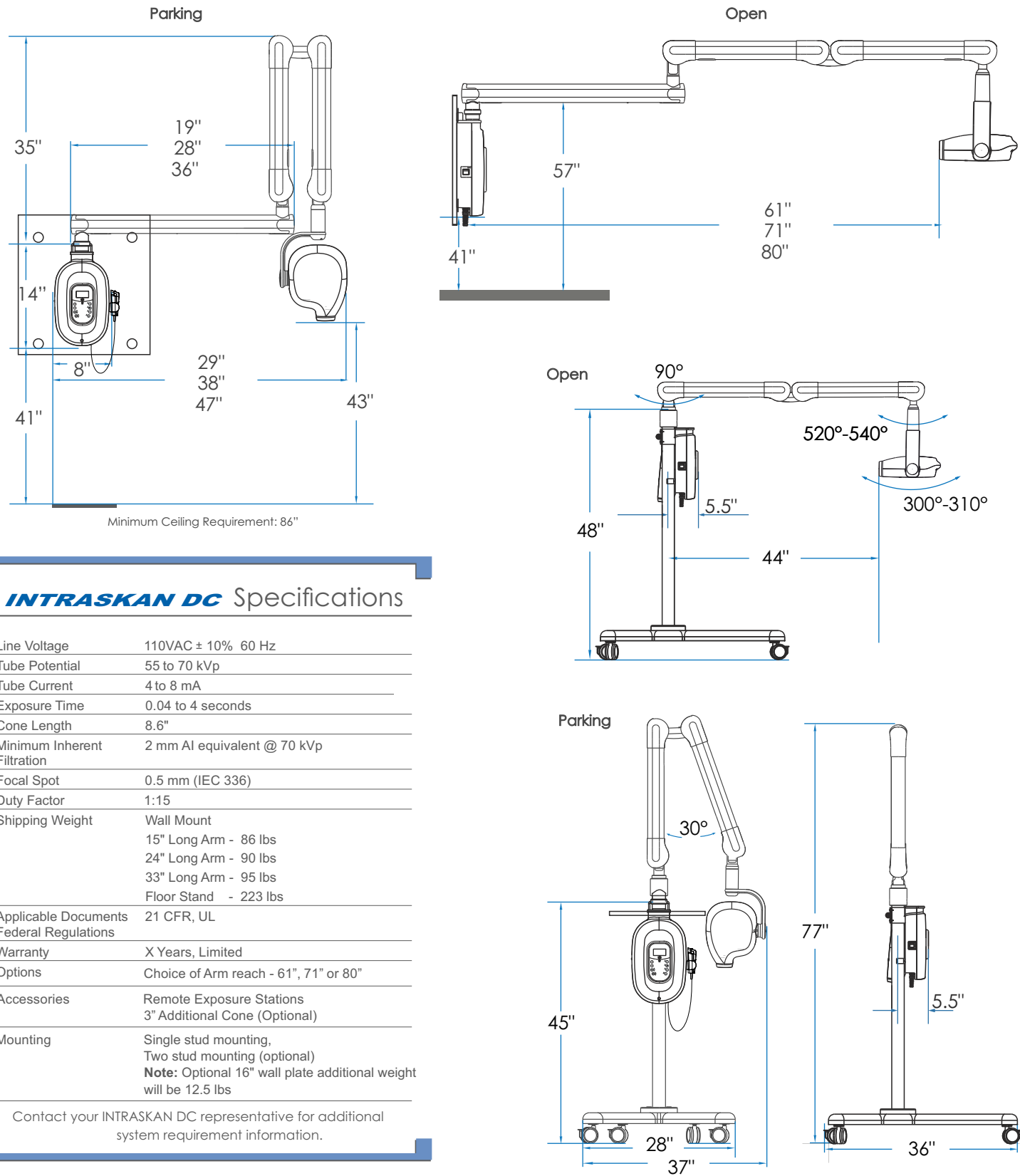


INTRASKAN DC parking and open dimensions



INTRASKAN DC Specifications

Line Voltage	110VAC ± 10% 60 Hz
Tube Potential	55 to 70 kVp
Tube Current	4 to 8 mA
Exposure Time	0.04 to 4 seconds
Cone Length	8.6"
Minimum Inherent Filtration	2 mm Al equivalent @ 70 kVp
Focal Spot	0.5 mm (IEC 336)
Duty Factor	1:15
Shipping Weight	Wall Mount 15" Long Arm - 86 lbs 24" Long Arm - 90 lbs 33" Long Arm - 95 lbs Floor Stand - 223 lbs
Applicable Documents Federal Regulations	21 CFR, UL
Warranty	X Years, Limited
Options	Choice of Arm reach - 61", 71" or 80"
Accessories	Remote Exposure Stations 3" Additional Cone (Optional)
Mounting	Single stud mounting, Two stud mounting (optional) Note: Optional 16" wall plate additional weight will be 12.5 lbs

Contact your INTRASKAN DC representative for additional system requirement information.



ImageWorks
Generations of Imaging



INTRASKAN DC
Dental Radiography Solutions



Corporate Headquarters

250 Clearbrook Road, Suite 240 | Elmsford, NY 10523, USA
Phone 914-592-6100 | Fax 914-592-6148



www.imageworkscorporation.com

Rev A - Draft H

Design

By incorporating Innovative Technologies and latest Dual Microprocessors, **INTRASKAN DC** has packed the power and intelligence in a number of ways to enhance the convenience of the clinician and patients.

High Frequency DC

X-Ray of stable and fine quality is produced by the 100 kHz x-ray generator, offering good image quality at a minimum dose. The DC system significantly reduces harmful soft radiation, compared to the conventional AC machines.

Smooth and Stable

The smooth, Drift-Free Positioner allows you to trigger the exposure from a distance without the concern of shift in Image position during exposure. The long Scissor arm enables to reach two patients in adjacent chairs.



Green Mode

The unit draws clean power from the mains, consumes negligible energy in standby mode and conserves energy with reduced exposure time compared to AC machines.

Adjustable techniques provide complete control

ImageWork's exclusive LCD display with its large, bright screen displays technique information clearly from an angle. Easy to understand icons quickly identify tooth, receptor type and patient size.

30 pre-programmed technique settings streamline set-up and preparation for every procedure and every receptor.



The **INTRASKAN DC** comes with many variations to choose from, depending on your Clinic/Hospital requirements:

- Wall mount Scissor Arm with extension Arm for different reach
- Floor Stand unit with Scissor Arm.

Discover the Benefits

- › Versatile operation with precise positioning
- › Refined ease of movement
- › Shorter times between exposures
- › Choose the exposure time you prefer
- › Single or double remote activation switch
- › Fully programmable operation yet manually adjustable to suit individual preferences
- › Three arm sizes to fit any operator dimensions
- › Switch instantly between adult and child or film and other image receptor settings
- › Available as a wall-mount or mobile unit

ImageWorks
INTRASKAN DC

